

Linea Bellagio



LB-SV-14

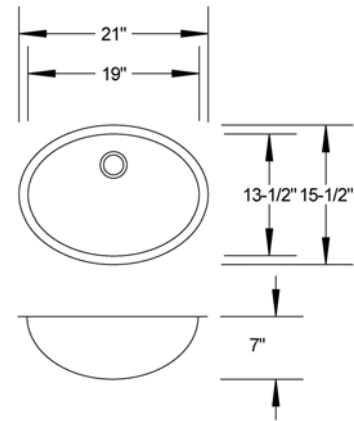
www.lineabellagio.com

C-TECH-I is proud to present its newest collection, "Linea Bellagio", an exclusive new generation of sinks specifically designed for all solid surface materials, including Quartz and Granite. Linea Bellagio sinks have been designed to integrate and install into your countertop as an under-mount. This feature minimizes bacteria entrapment, makes cleaning easier and brings the latest style into your new kitchen. Thank you again and enjoy your new sink from "Linea Bellagio" by C-TECH-I.



FEATURES

| | |
|---------------------|--|
| Model # | LB-SV-14 |
| Description | VANITY/BATHROOM SINK |
| Material | 18/10 304 STAINLESS STEEL |
| Color | STAINLESS STEEL |
| Mounting options | UNDER-MOUNT |
| Finish | BOWLS AND SURFACE BRUSHED |
| Thickness | 18 GAUGE |
| Sound proofing | NA |
| Construction type | 1 PIECE CONSTRUCTION |
| Construction method | PRESSED 2 TIMES |
| Warranty | LIMITED LIFETIME |
| Overflow | YES |
| Drain size | 1 3/4", STANDARD USA, CA AND EUROPE SIZE |
| Certifications | CAN/CSA-B45/ANSI-A112.19/ANSI-Z124/MASS |
| FGP Compliant | YES |
| Fits cabinet size | MADE FOR CABINETS 22" AND LARGER |



INCLUSIONS:

Your Linea Bellagio sink includes the following accessories,
Paper template for cut-out
Mounting hardware
Overflow kit
Pop-up drain

OPTIONAL ACCESSORIES:

The following accessories are available for your sink,



RESOURCES:

Installation instructions www.specs.ctechi.com/sinkinstall.pdf
Cleaning instructions www.specs.ctechi.com/cleaning.pdf
Warranty information www.specs.ctechi.com/warranty.pdf
DXF file www.specs.ctechi.com/lb-sv-14.dxf

For your protection and to insure the highest quality and standards, all C-TECH-I products meet or exceed one or more of the regulatory certification marks for the USA, Canada and Europe.



C-TECH-I
Unique elegance and style